



NRA Law Enforcement Competitions

Police Pistol Combat Program Bulletin

| | |
|-----------|-------------------------------------|
| Number | 10-2 |
| Rule | 3.7 |
| Topic | Stock Service Semi-Automatic Pistol |
| Sub-Topic | Glock 34 Sight Radius |
| Date | April 2, 2010 |
| Revised | July 8, 2014 |

ISSUE: Does the Glock 34 or 35 Tactical/Practical models from the factory meet the requirements of Rule 3.7 for Stock Service Semi-Automatic Pistols?

FINDING: In the standard factory configuration these pistols do not meet the specifications for use in NRA Police Pistol Combat Stock Service Semi-Automatic Matches.

According to the factory specifications, the Glock Model 34 and 35 (non-compensated model) state that the Sight Radius for these pistols is 7.56 inches which exceeds the maximum allowable sight radius of 7.5 inches for Stock Service Semi-Automatic Pistols.

NOTE:

1. Manufacture's may change their stock sights from what was reviewed at the time of the Bulletin. Shooters interested in using the Glock 34 or 35 are encouraged to measure the sight radius to see if their specific sights are compliant or not. For instance, if the pistol came with the Glock adjustable rear sight it will most likely not be compliant but if it has the non-adjustable rear sight the sight radius may be shorter and comply with the Rule.
2. With the wide range of approved replacement service sights available it is possible to use these models if the replacement sights meet the sight radius requirements of 7.5 inches, or less, and all other specifications are met.

Competitors who change the sight to be sight radius compliant need to be aware that Tournament Directors and Referees have the responsibility to inspect the pistol at each tournament to ensure the sight radius is compliant since it is so close, and that no other changes have been made that make the pistol non-compliant.

It should also be noted that both pistols are allowed in Distinguished Semi-Automatic Pistol matches since the maximum sight radius for these Distinguished guns is 8.5 inches, as long as all other requirements are met.

APPLICABLE RULE: Police Pistol Combat Rule 3.7 - 2014 Edition of the NRA Police Pistol Combat Rule Book

3.7 Stock Service Semi-Automatic Pistol: *Factory manufactured (catalog item), center-fire semi-automatic pistol capable of chambering and firing .35 caliber or larger ammunition, or FN 5.7 x 28 caliber ammunition. All double action semi-automatic pistols must fire the first shot of every stage double action. Trigger pull not less than 3.5 pounds single or double action.*


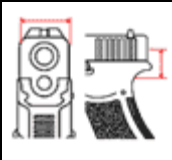

Allowed:

1. Maximum barrel length of 5.5 inches.
2. Any accessories, parts, and components which are manufactured to duplicate, in materials and dimensions, the original as offered by the manufacturer.
3. Replacement of service type sights with other service type sights, luminescent service sights, or fiber optic service sights, provided such sights do not require alteration of the firearm for installation.
4. Maximum sight radius of 7.5 inches.
5. Finger groove and slip on grips.
6. Magazine bumper pad.
7. Extended magazine well funnel.

Prohibited:

1. Adjustable front sight.
2. Thumb rest.
3. Grips/stocks that are flared at the base.
4. Tape on the grip/stock.
5. Any substance that results in a sticky surface to the grip/stock or hand.
6. Full-length Bo-mar type ribs on the slide.
7. Weighted grips or grip panels.
8. Trigger shoes.
9. External trigger stops.
10. Smith & Wesson Model PPC9 Pistols.

RESEARCH FINDINGS: The Glock model 34 and 35 technical specifications listed on the Glock USA website are below.

| | |
|---|--|
|  | LENGTH 207 mm / 8.15 in. HEIGHT 138 mm / 5.43 in. |
|  | WIDTH 30 mm / 1.18 in. BARREL HEIGHT 32 mm / 1.26 in. |
|  | LINE OF SIGHT 192 mm / 7.56 in. BARREL LENGTH 135 mm / 5.32 in. |